

Datasheet - AZ 17/170-B1-2245

Safety switch with separate actuator / AZ 17 / Actuator AZ 17



Preferred typ

Particularly suitable for sliding doors

- Damps vibration on guard device



(Minor differences between the printed image and the original product may exist!)

Ordering details

Product type description	AZ 17/170-B1-2245
Article number	101137406
EAN Code	4030661280905
eCl@ss	27-27-92-16

Global Properties

Permanent light	Gummigelagerter gerader Betätiger B1
Weight	15

Mechanical data

Design of actuators	straight, rubber mounting
Minimum actuating radius	140

notice

On hinged guards, minimum actuating radius at 90° to the plane of the actuator 140 mm

minimum actuating radius on hinged guards in line with the plane of the actuator 200 mm

Max. 200 Ncm tightening torque for mounting the actuator

The axis of the hinge should be 13 mm above the top edge of the safety switch and in the same plane

Documents

Operating instructions and Declaration of conformity (de) 121 kB, 24.09.2018

Code: mrl_az17-azm170-betaetiger_de

Operating instructions and Declaration of conformity (pl) 160 kB, 24.09.2018

Code: mrl_az17-azm170-betaetiger_pl

Operating instructions and Declaration of conformity (it) 120 kB, 24.09.2018

Code: mrl_az17-azm170-betaetiger_it

Operating instructions and Declaration of conformity (da) 134 kB, 24.09.2018

Code: mrl_az17-azm170-betaetiger_da

Operating instructions and Declaration of conformity (pt) 120 kB, 24.09.2018

Code: mrl_az17-azm170-betaetiger_pt

Operating instructions and Declaration of conformity (en) 120 kB, 24.09.2018

Code: mrl_az17-azm170-betaetiger_en

Operating instructions and Declaration of conformity (cs) 157 kB, 24.09.2018

Code: mrl_az17-azm170-betaetiger_cs

Operating instructions and Declaration of conformity (jp) 215 kB, 24.09.2018

Code: mrl_az17-azm170-betaetiger_jp

Operating instructions and Declaration of conformity (sv) 121 kB, 24.09.2018

Code: mrl_az17-azm170-betaetiger_sv

Operating instructions and Declaration of conformity (nl) 120 kB, 24.09.2018

Code: mrl_az17-azm170-betaetiger_nl

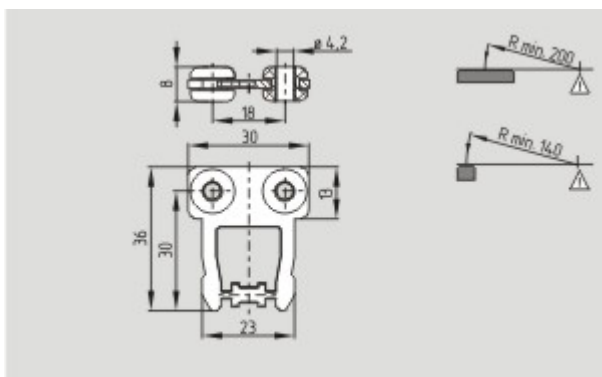
Operating instructions and Declaration of conformity (fr) 121 kB, 24.09.2018

Code: mrl_az17-azm170-betaetiger_fr

Operating instructions and Declaration of conformity (es) 120 kB, 24.09.2018

Code: mrl_az17-azm170-betaetiger_es

Images



Dimensional drawing (actuator)

